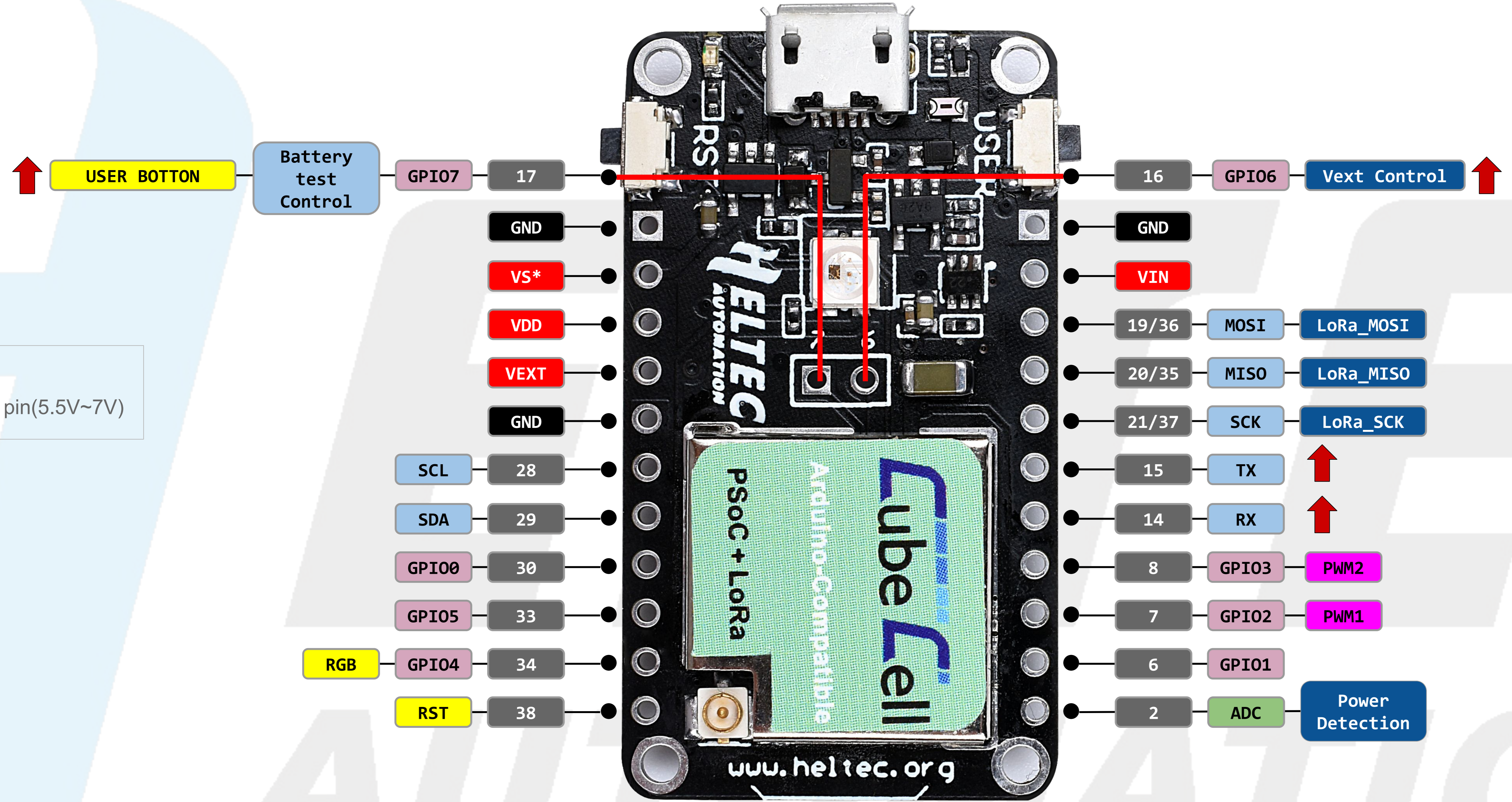


CubeCell HTCC-AB01 Pinout Diagram

- GND
- Power
- Control
- PWM Pin
- GPIO Port pin
- Analog Pin
- DAC
- Serial SPI I2C
- Physical Pin
- On-board hardware Pin

Notes:
 VS* : Solar input pin(5.5V~7V)



PULL-UP