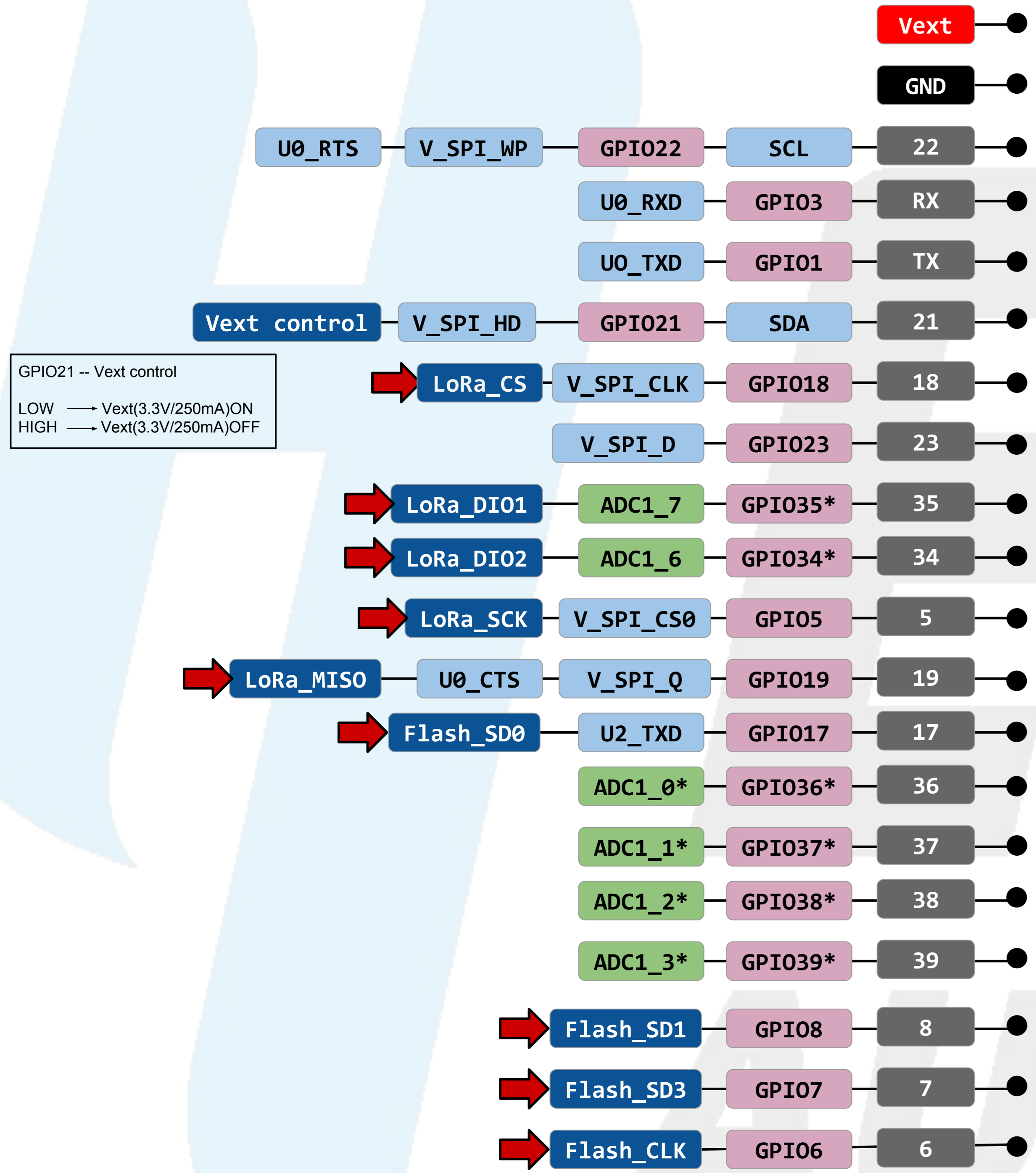
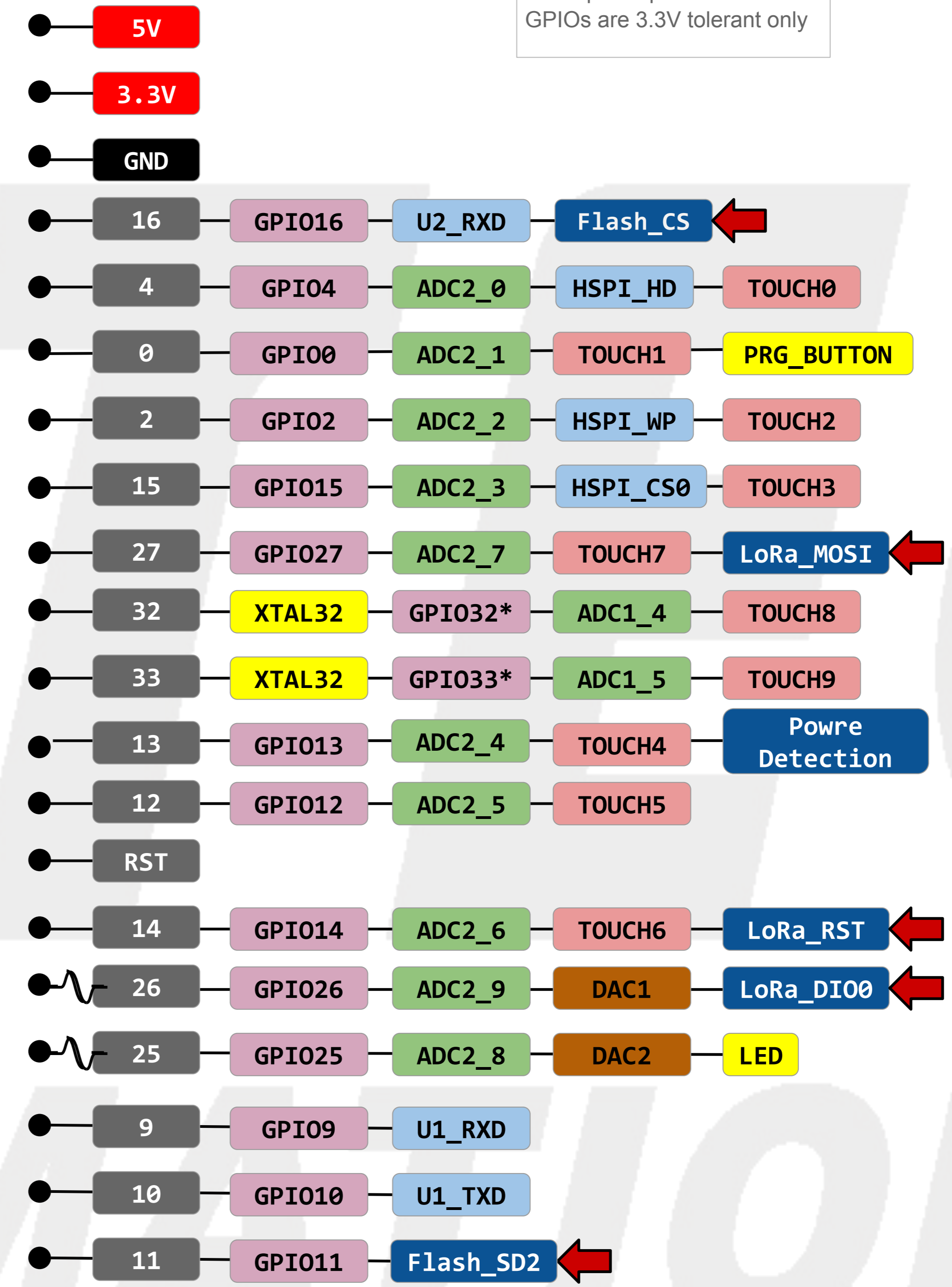
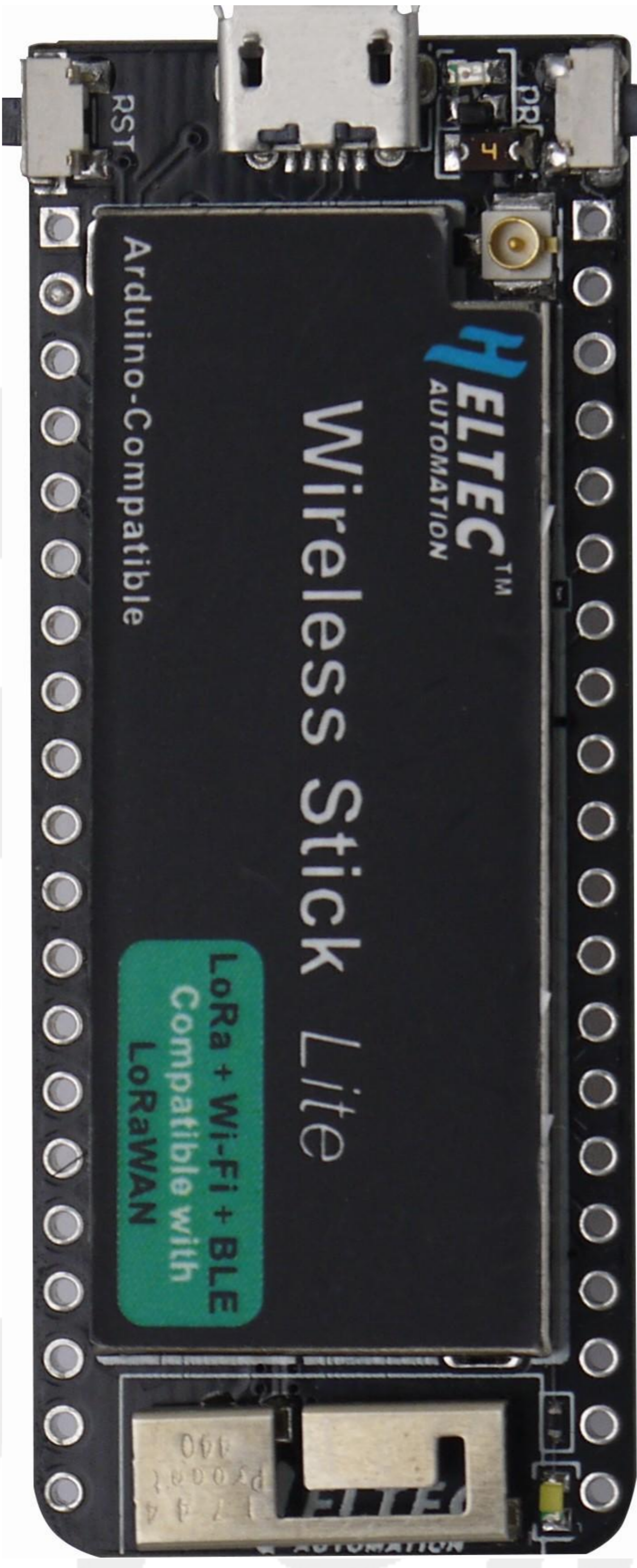


Wireless Stick Lite Pinout Diagram



GPIO21 -- Vext control
 LOW → Vext(3.3V/250mA)ON
 HIGH → Vext(3.3V/250mA)OFF



Notes:
 *GPIO input only
 *ADC preamplifier
 GPIOs are 3.3V tolerant only

- GND
- Power
- Control
- Touch Pin
- GPIO Port pin
- Analog Pin
- DAC
- Serial SPI I2C
- Physical Pin
- On-board hardware Pin

➔ Pins with this arrow are used by on-board Flash or LoRa, they must not be used for other purpose unless you know what you are doing!